

# LED 9004

BATTERY OPERATED LIGHT WITH SENSOR

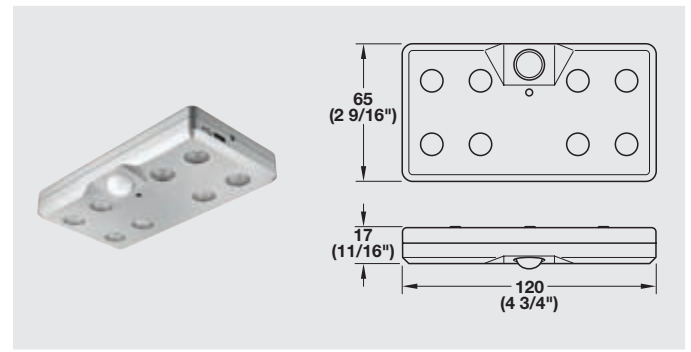


**BATTERY-OPERATED LIGHT**

- > Rectangular, rechargeable, with motion detector and twilight switch – Distance 2 m (78 3/4") / 120°
- > Great for use inside cabinets or closets
- > No power cord allows for ease in positioning
- > With integrated motion detector (120° detection range up to 2 m (78 3/4") and 30 second delay time)
- > Energy saver cuts off light after 30 seconds of no motion
- > Lithium battery for long charge life
- > Two operating modes:
  - Motion: via motion detector
  - Auto: motion detector active with ambient light of 5 lx
- > Operating time: 8 hours
- > Charging time: 3 to 4 hours

**Note**

lx = lux.



**Note**

The lighting device can be recharged using the included micro-USB cable.

<b>Item No.</b>	<b>833.87.021</b>
<b>SRP</b>	<b>\$40.00</b>
Light Color (K)	4000 (cool white)
L x W x H	120 x 65 x 17 mm (4 3/4" x 2 9/16" x 11/16")
Wattage	0.8
LEDs	8
Lumen	55
Lumen per watt	69
CRI	>90
Material/Finish	Plastic, silver
Supplied with	0.8 m (31 1/2") micro-USB charging cable mounting plate for screw mounting

**Note** Loox Lights and Drivers are "Suitable for use within Closet Storage Spaces"

